

DLF-146

4" NON-IC Architectural Frame-in-kit For

(1)13W, 18W, 26W, 32W DTT/TTT Lamps

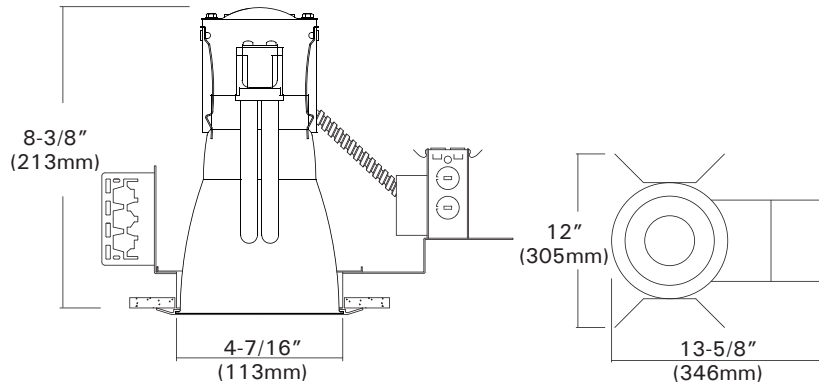
Catalog #		Type
Project		Date
Prepared by		

FLUORESCENT



DESCRIPTION

4" aperture frame-in kits for (1) vertical CFL lamps. These are designed for use in non-insulated ceiling for general and task lighting. Heat sink aluminium socket housing, with vertically adjustable lamp holder may produce various focuses for different lamp types.



DESIGN FEATURES

Ceiling Cut-out : 5"
Lamp, Max, Watt. : Max. 32W

Mounting Ring

- 20-gauge CRS mounting ring, black-painted. 1-5/8" deep collar may use for various thickness of ceiling materials.

Junction Box

- Listed for through branch circuit wiring. (Max. 8 No 12 AWG 90°C branch circuit conductors. (4 in, 4 out)
- (5) 1/2" knockouts with true pry-out slots and (4) knockouts with Romex cable clamp.
- Ground wire provided on J-box.

Reflector

- Anodized clear, haze, gold, champagne, pewter color finished full reflectors. And anodized reflectors with black or white milled groove baffle collar, and glass lens for shower trim.

Trim Ring

- White plastic ring or plated chrome, satin nickel, polished brass, natural steel color ring.

Socket

- G24Q/GX24Q socket for use 4 pin DTT, TTT lamps.

Socket Cup

- Heat sink aluminum cup with vertically adjustable lampholder is used to control multiple beam spreads.

Mounting Channel Bracket

- Commercial mounting kit provided up to 5" vertical adjustment, which accommodates 1/2" EMT conduit, optional HB-24 or HBC-24 bar hanger or lathing channels for T-bar grid or concealed spline ceiling.

Lamp

- Compact Fluorescent lamps.
 - * DTT-Double twin tube (Quad/CFQ)
 - (1) 13W DTT (4 pin)
 - (1) 18W DTT (4 pin)
 - (1) 26W DTT (4 pin)
 - * TTT-Triple Twin Tube (CFTR)
 - (1) 18W TTT (4 pin)
 - (1) 26W TTT (4 pin)
 - (1) 32W TTT (4 pin)

Ballast

- Class P Thermally protected by internal fuse (3 amp fast blow), Multi-volt electronic ballast or thermal cut-out switch in magnetic ballast.
- High Power Factor Multi-volt Electronic ballasts for 4 pin type compact fluorescent lamps mounted on J-box door for easy access from inside of fixture.

Listing

- UL, c-UL listed for damp location.
- UL, c-UL listed for feed through.

Optional "Quick Connect" Push-in wire connectors.

- Three "Quick Connectors"
- Pre-installed push-in wire connectors for fast and easy wiring.

Ordering Information

Housing	Ballast	Lamp(s) Watt.	Option
DLF-146	-N : 120V NPF Magnetic -H : 120V HPF Magnetic -NE : 120V NPF Electronic -HE : 120V HPF Electronic	-E : 120V/277V HPF Electronic 113 : (1)13W 126 : (1)26W 118 : (1)18W 132 : (1)32W	-EM : Emergency w/ Remote Test Switch -C : Quick Connectors

Example : DLF-146-E126

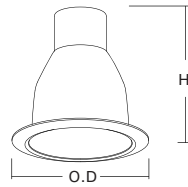
Trims

4" Vertical Compact Fluorescent Trims For DLF-466, DLF-146, DLF-146R

Catalog #		Type
Project		Date
Prepared by		

FLUORESCENT

TM-149R
TM-149RF
Specular Open Reflector
32W TTT, DTT
White Plastic Trim Ring
O.D : 6-1/16"
Height : 6-1/8"
*Symbol (RF) is for Self-flange



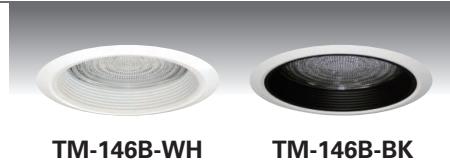
TM-140B
Baffle w/ Reflector
32W TTT, DTT
White Plastic Trim Ring
O.D : 6-1/16"
Height : 6-1/8"



TM-141
Wall Wash w/ Kick-off Plate
32W TTT, DTT
White Plastic Trim Ring
O.D : 6-1/16"
Height : 6-1/8"



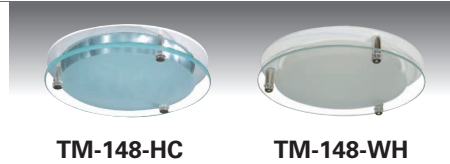
TM-146B
Baffle w/ Fresnel Lens
32W TTT, DTT
White Plastic Trim Ring
O.D : 6-1/16"
Height : 6-1/8"



TM-146R
Reflector w/ Fresnel Lens
32W TTT, DTT
White Plastic Trim Ring
O.D : 6-1/16"
Height : 6-1/8"



TM-148
Reflector w/ Frosted Drop Lens
32W TTT, DTT
White Metal Trim Ring
O.D : 6-1/16"
Height : 6-1/8"



TM-148S
Reflector w/ Frosted 3.5" Center Hole Lens
32W TTT, DTT
White Metal Trim Ring
O.D : 6-1/16"
Height : 6-1/8"



- ◆ White plastic ring standard. Also available with metal rings.
- ◆ All trims are damp location, Lens trims are wet location listed.

ORDERING INFORMATION

Choose the catalog / finish codes that best suit your needs and enter it on the appropriate line.

TRIM MODEL	REFLECTOR	LENS	BAFFLE	METAL RING
	CL :Clear	FR :Fresnel	WH :White	WH :White
	WH :White	AS :All Sanded	BK :Black	BK :Black
	GD :Gold	CL :Clear	SN :Satin Nickel	SN :Satin Nickel
	MA :Matte Platinum	CV :Convex Prismatic	AN :Antique Nickel	AN :Antique Nickel
	CP :Champagne	AL :Albalite	AC :Antique Copper	AC :Antique Copper
	PR :Pewter		MO :Mocha	MO :Mocha
	HC :Haze Clear		CA :Cappuccino	CA :Cappuccino
			CH :Chrome	CH :Chrome
			UN :Natural Steel	UN :Natural Steel
			PB :Polished Brass	PB :Polished Brass

Examples:
TM-149R-HC-WP = Haze Clear Reflector
TM-140B-BK-WP = Black Baffle w/ Clear Reflector